

# The manual of uninterrupted power supply(Model UPS125A)

## I 、 Brief Introduction

UPS125A, When AC power supply is available; the electric pressure of the load is supplied by AC power. When AC power is unavailable, the electric pressure is supplied by battery. When the electric pressure of the battery drops to about 10.3V, the battery stops the supply to the load and must be started again by AC power. Inside the UPS, there is an electric discharge protection circuit of the battery, the electric discharge quantity is set within the allowance range of the battery in order to prolong the working life of the battery .This power supply has protective functions of over-current, over-voltage and short circuit, it also enjoys the advantages of wide input range, stable output voltage and low pressure drop of the load. Apply to all kinds of access control and electric locks; it's the best choice for access control and power supply.

## II 、 Technical parameter

Charging voltage: 13.4~13.8V

Uninterruptible time: 0

Input voltage: 110V~240V AC

Output voltage: 12VDC

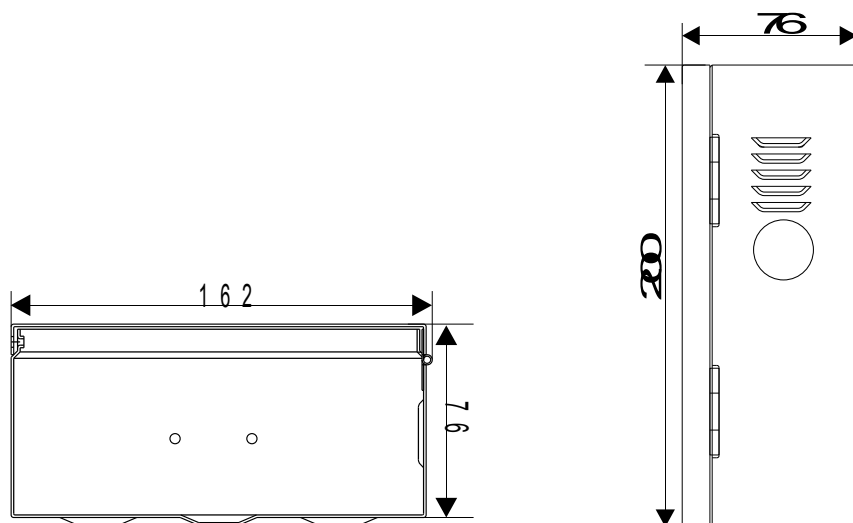
Max. Output current: 5A

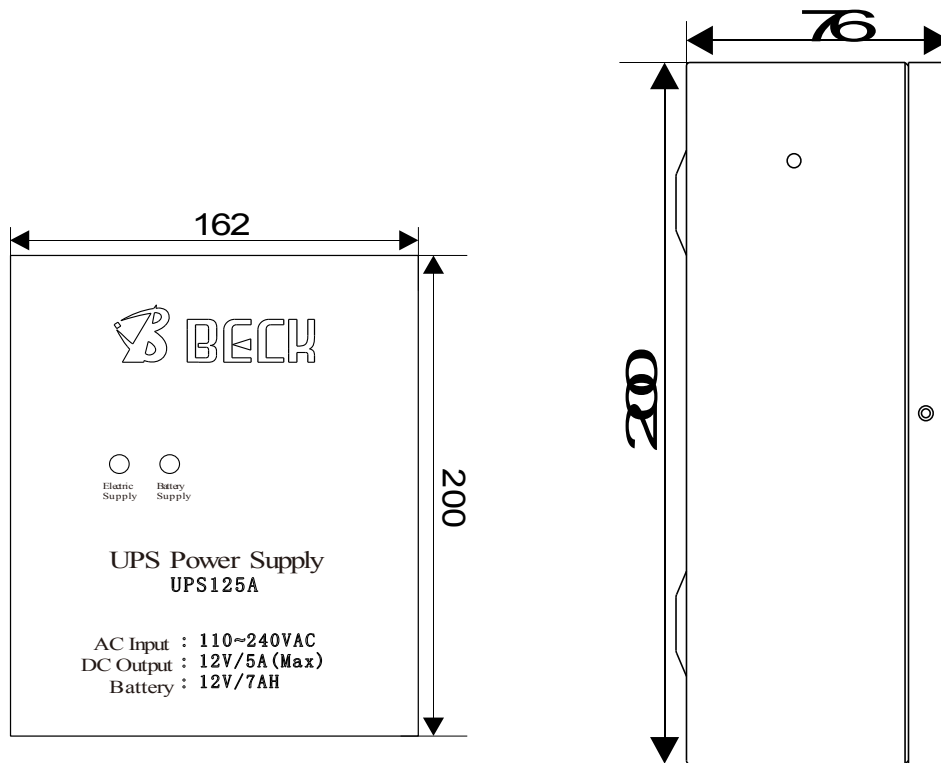
Adjustable time: 0~60S

## III、 Instructions

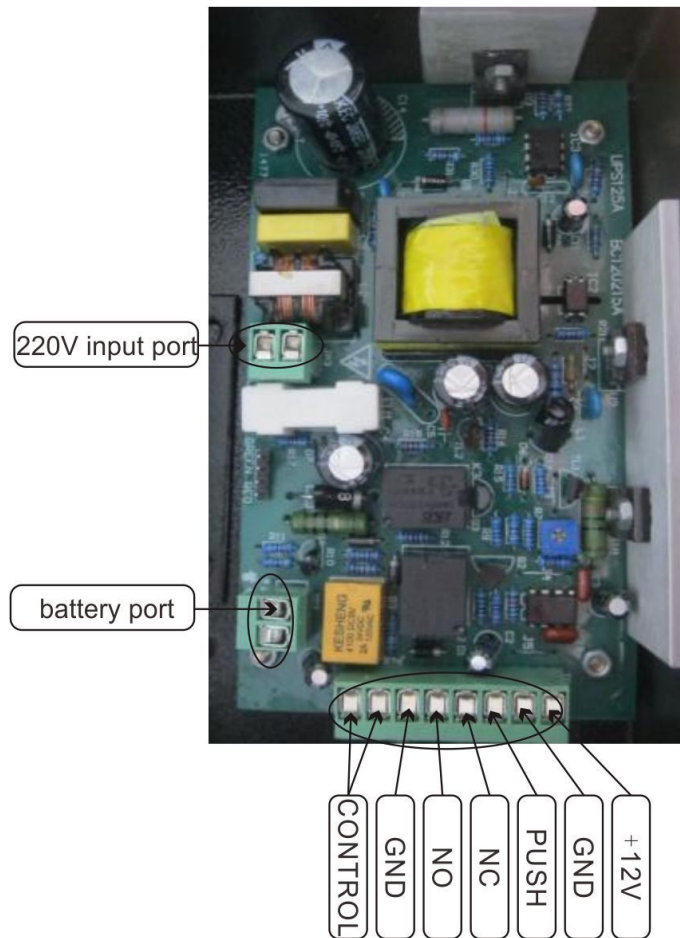
1. Open the case, find the Two-wire terminal labeled 220V on the PCB, and connect the AC power supply wire on to the terminal.
2. Turn and open the fuse case on the battery output wire, install a 5A fuse, here the green light is on.
3. Connect the 220V AC power, here the red light is on and the light one is off
4. Please notice while using: the fuse case is on the positive pole (red wire) of the battery, the black wire is the negative pole. If short circuit occurs and burns out the fuse, please replace it .The power supply device will be not damaged.

## IV、 Measurement

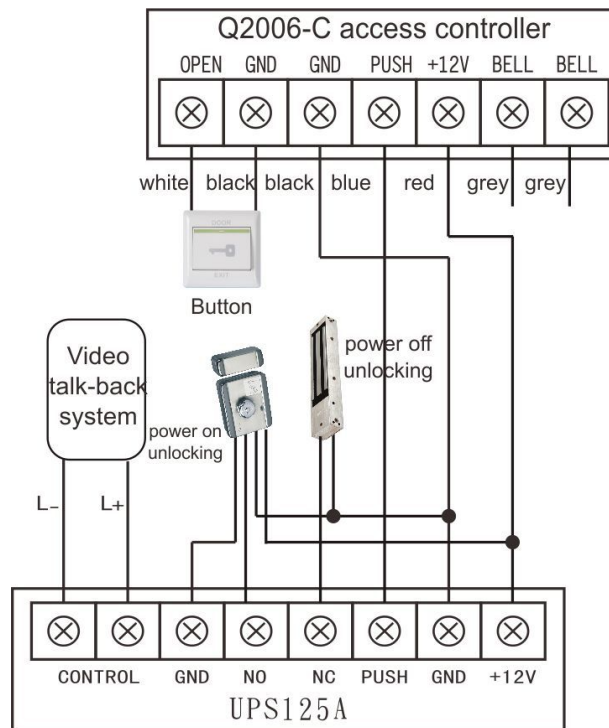




### V、 Interior PCB diagram



## VI、 System connection diagram



## VII、 Original packing list

UPS power supply: 1 pc

Screws: 1bag

Instruction: 1 paper

Hole pattern: 1 paper

Protective tube: 1bag (two pc of 5A)