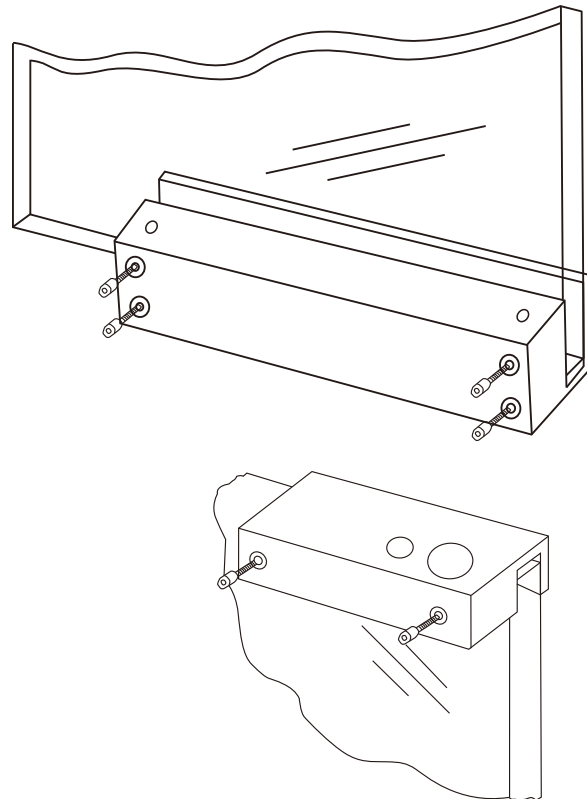


The manual of the glass doors without frame



This electric Bolt Lock, using CPU to control. Special design according to the voltage wave. It's working by power-on locking & power-off unlocking. The static current is 0.08A only. It belongs to super low power dissipation for electric bolt lock in domestic. The lock won't get hot by long running. The lock adopts special design, especially used for the glass door without up frame and down frame. It adopts locking by magnetic induction, having the vandal resistant function & wide voltage range, using more safe and reliable.

I. Electric character:

Wiring direction: Working Voltage: 10-24VDC

RED → Power supply (+)

Black → Power supply location (-)

Working current: 12VDC 0.8A in start-up state

12VDC 0.08A in running state

II. Signal character:

Control signal output of lock state: Signal current \leq 500mA

Signal voltage \leq 36VAC/DC





Blue → (NO) signal

White → (COM)

Yellow → (NC) signal

III. Time delay:

Note: On time delay: It needs to remove the cover from the lock, then loosen 4pcs of screws on the lock head, take out the lock core inside carefully, then setup according to following diagram, it is ok to install like original one.

-  → Lengthen 0 second
-  → Lengthen 2.5 second
-  → Lengthen 5 second
-  → Lengthen 8 second

IV. Lockbody measure:

Lock body: 188×58×48mm

Snapclose: 90×58×29mm

V. Using range:

It is suitable for glass door without up frame and down frame in the opening angle of 180 degree.

The distance between up window and down window: \geq 8mm

The thickness of glass \leq 12mm