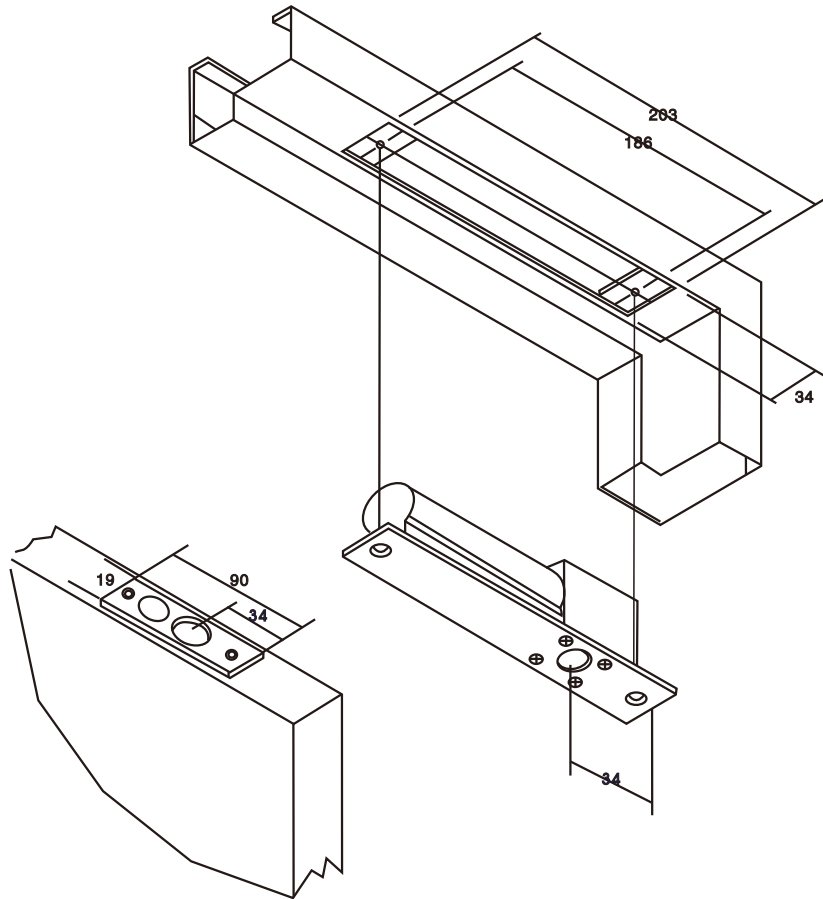


BOLT ACTION LOCK



This kind of lock adopt auto-control, special design according to the voltage waving. It has the way of there lines controlling, that is, it could open when power off. Or it could open using controlling line. The static current is only 80mA, belonging to nation s lowest power waste for electric bolt lock. It has function of locking with magnetic force, strong anti-interrupt force, wide working voltage. And the lock body will not get hot with long-time service and more safe to use.

I .Electrical Characteristic :

Wiring Instruction: Working voltage: 10VDC-24VDC

Red → power(+)

Black → power supply location(-)

Working current: 12VDC 0.8A in start—up state

12VDC 0.08A in running state

Time delay: (as following diagram)

•••• → Lengthen 0 second

••□ → Lengthen 2.5 second

□••• → Lengthen 5 second

□•□□ → Lengthen 8 second

II .Signal Characteristic:

a. control signal output of lock state : signal current $\leq 500\text{mA}$ signal voltage: $\leq 36\text{VAC/DC}$

Bule → (NO)

White → (COM)

Yellow → (NC)

b. Contorl signal output of door state :signal current $\leq 300\text{mA}$ signal voltage: $\leq 36\text{VAC/DC}$

Green → (NO)

Grey → (COM)

Orange → (NC)

Note : Five line only with (a. control signal output of lock state), but Nine line with both a and b.