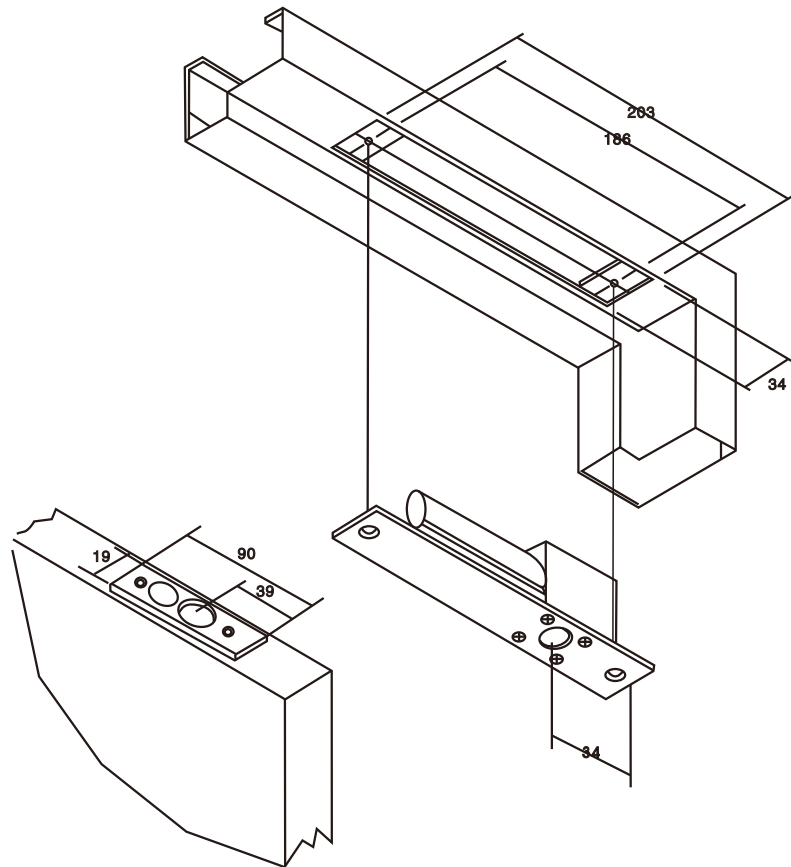


Electric Bolt Lock



Electric lock characteristics:

Working voltage: 12VDC

Red → Power Supply (+)

Black → Power Supply location (-)

Working current: working current: 450mA

Static current: 450mA

The type of coil: the working type in succession

The type of safety: lock if switch on, unlock if switch off.

Locking bolt: The diameter of the stainless steels locking bolt is 15MM and the length of stretch out is 15MM.

Locking way: magnetic induction

Original setup list:

electric lock	1 pc	screws	1 bag
plate cover	1 pc	user manual	1 pc
induction strike	1pc	certificate	1 pc