

The manual of hanging type electromagnetic lock(Model BCL-2506)

I 、 Brief Introduction:

BCL-2506 is a new design electric lock with excellent performance, novel and noble in appearance. The console port control the status of the door (hereby it can be used together with intercom system) .Besides, it has the function of time-delay and warning tone when open the door. It adopts the most advanced Haward Detection Circuit which enables the lock with the function of LED LGP (light guide plate) of door status indicator, and detection signal output. It has a build-in demagnetizing electrocircuit to realize non-magnetic remanence at door opening. BCL-2506 is the best combination of high-tech and fashion, long running without getting hot, it is safer and more reliable.

II 、 Technical Parameter:

Working voltage: 12VDC \pm 10%/24VDC \pm 10%

Working current: 2VDC490mA/24VDC 245mA

Signal output of door status detection: voltage \leq 36VDC/AC , current \leq 300mA.

Ambient Temperature: -30 $^{\circ}$ C \sim 55 $^{\circ}$ C

Relative Humidity: 10% \sim 95%RH

Holding power: 350KG

Dimension of Lock Body: 245mm \times 54mm \times 30mm

Dimension of Suction Plate: 150mm \times 46mm \times 13mm

Security Type: Lock on power/unlock off power

Door Status Indicator: The light will turn green when open the door, on the contrary, it will turn red.

Wiring Drawing:

Red VCC \rightarrow Anode of power supply

White \rightarrow (COM) Neutral Point (Door status)

Black \rightarrow (GND) Cathode of power supply

Blue \rightarrow (NO) Normally Open (Door status)

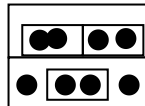
Green \rightarrow (K+) the anode of control signal

Yellow \rightarrow (NC) Normally Closed (Door status)

Gray \rightarrow (K-) the cathode of control signal

Through adjusting the P2 jumper, the lock can work under the voltage of 12 VDC or 24 VDC.

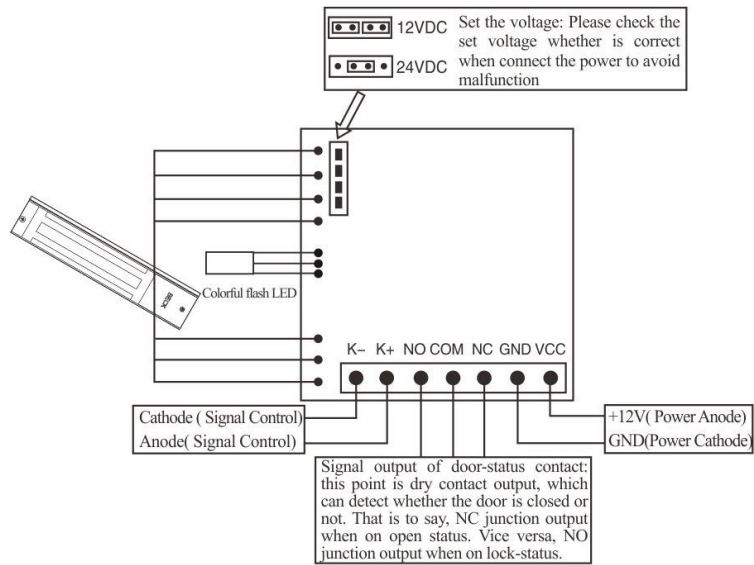
If the voltage is 12VDC, the position is:



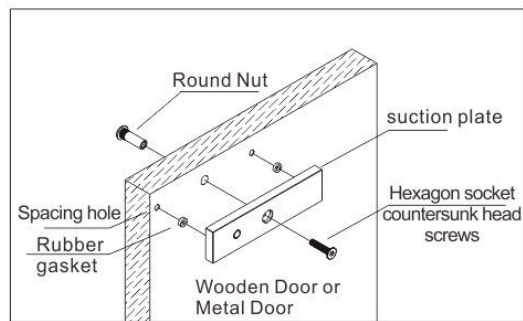
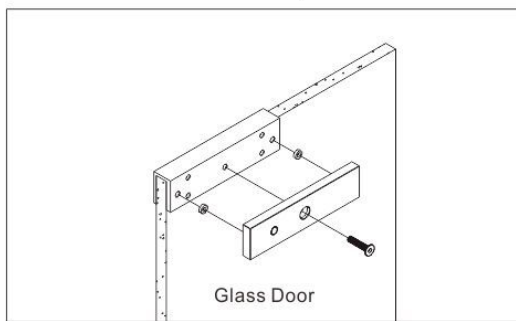
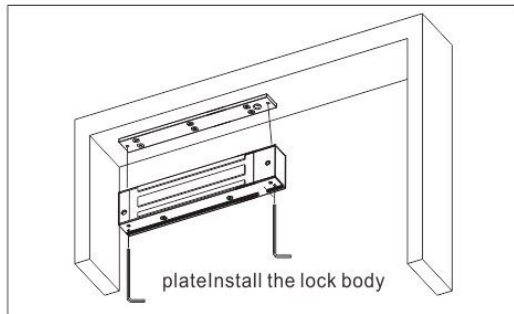
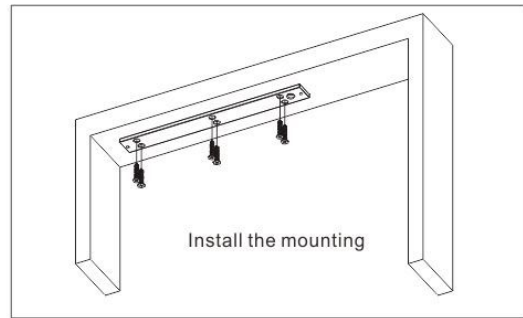
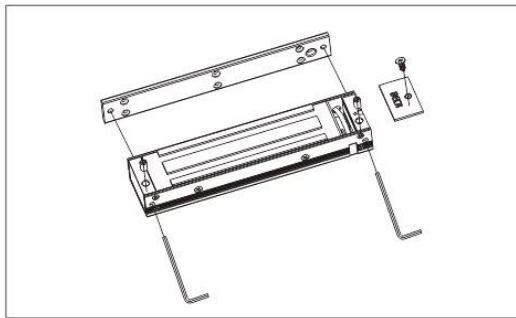
If the voltage is 24 VDC, the position is:



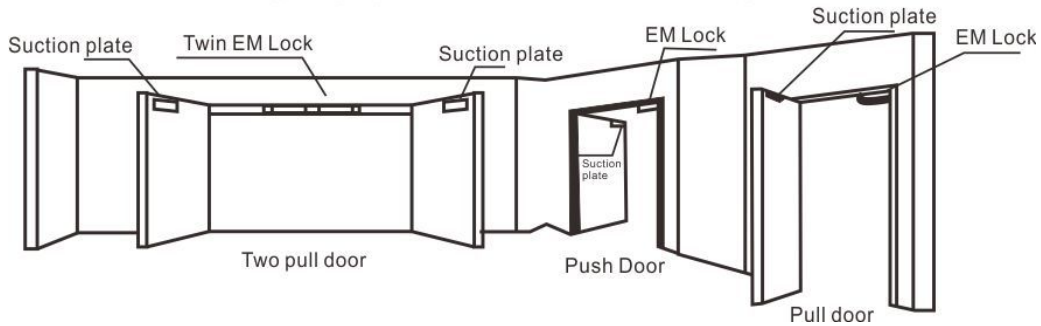
Remark: The factory default is under 12 VDC



III、Installation Diagram



Hanging type Installation Diagram



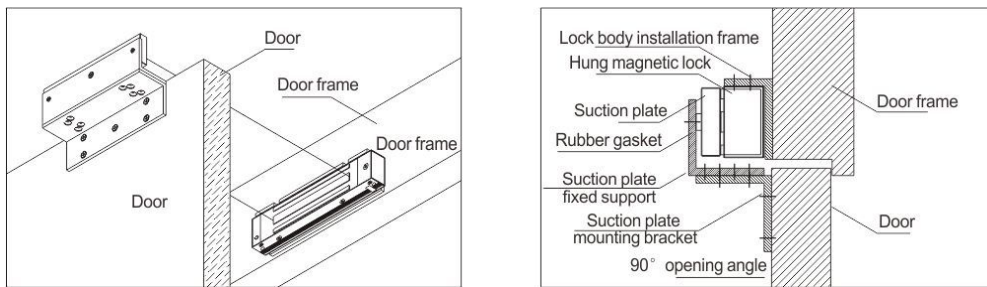
IV、 Application Scope:

Suitable for installing wooden gate with 90° opening angle, stainless steel door and emergency exit, etc.

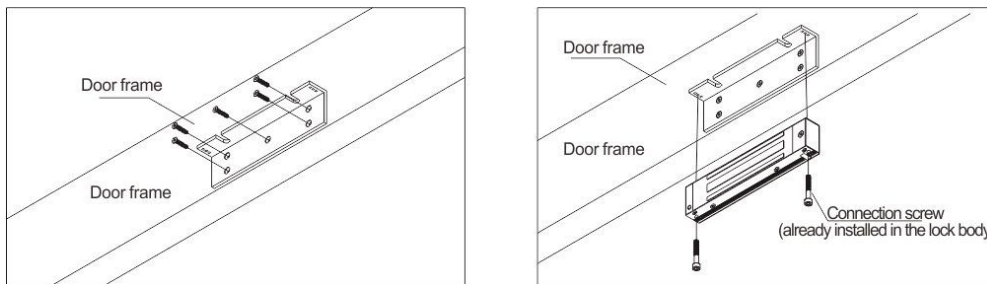
EM lock is power on locking. Therefore, if you need it on lock status although under the power-off situation, you need to equip the UPS (Uninterrupted Power Supply).

If needed (Like environment requirement), you need to equip auxiliary frame, like L & U-shape Bracket

V、 Collocation L auxiliary support to open in installation

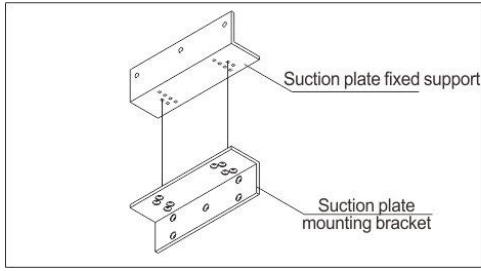


L-shaped bracket auxiliary frame install steps:

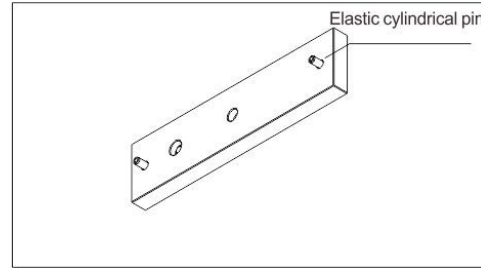


According to L auxiliary frame, paint line in the suitable position of doorframe and fix the L auxiliary frame on the door frame.

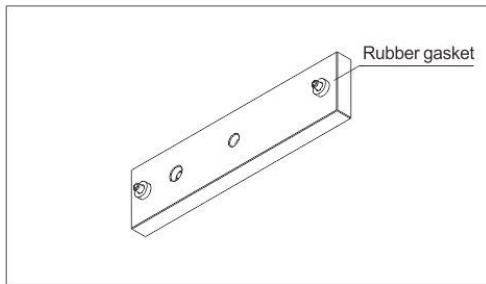
Fix the Electromagnetic lock on L-shaped auxiliary frame with socket head wrench.



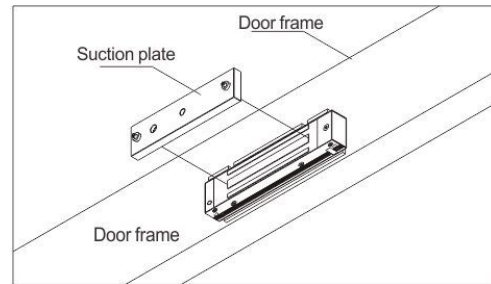
Assembling L-shaped auxiliary frame Z part, the auxiliary frame can be moved



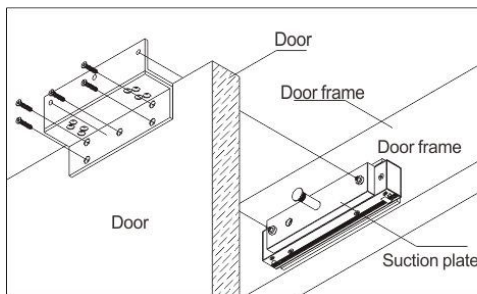
Press-in the accessories' flexible round pin in the toaling hole of suction plate



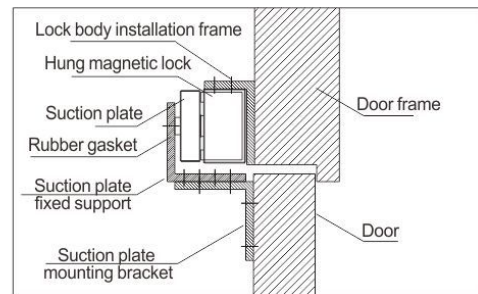
According the picture, set the Rubber washer in the locating pin of Both ends of suction plate.



Put the suction plate in the right place of electromagnet part, switch on the power and close the door.

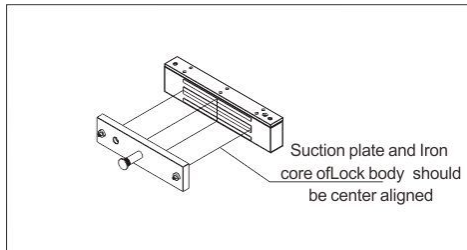


After suction plate and EM lock grip correct, adjust Z shape auxiliary frame, make it top to the door leaf, then locking the screw of Z shape auxiliary frame.

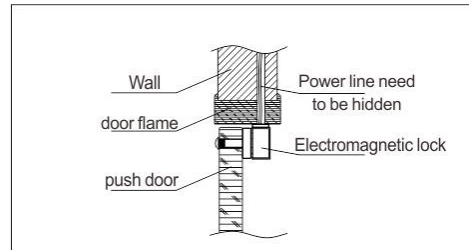


Lastly,fix the Z shape auxiliary frame on the door leaf,closing the door and testing its' suction,the gasket can increase or decrease or tightening the screw,but don't adjust the adsorption gap between suction plate and EM lock,make it completely closed.

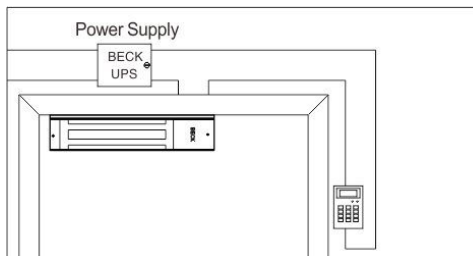
VI、 Attention:



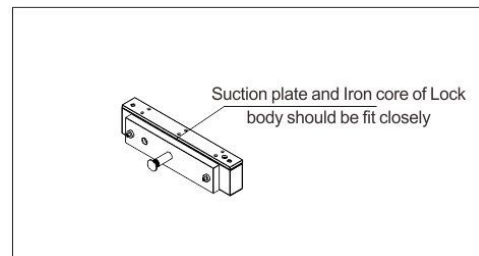
Whatever the installation way you choose, the lock body must be completely aimed at the suction plate. Otherwise, it will greatly reduce the holding force or maybe just a pull can also open the door.



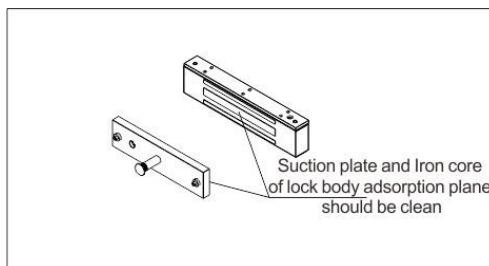
Whatever the installation way you choose the power line and signal line and other lines should be hidden. Shown in the picture;



EM lock is fail safe. We suggest you equip the UPS in case of the situation when the power is off to be more safe and secure.



The lock body must be completely aimed at the suction plate. Otherwise, it will lead to reduce the holding force and no reaction from the inner Howard Element. Finally no any signals will be outputted.



Keep the absorption surface between suction plate and lock clean and tidy, no rust or blot and with good shape. Otherwise, it also will reduce the holding force and no signals will be outputted. The way to solve this problem is to slightly wipe this place with preservative oil.

VII、 Original List

EM Lock: 1 Piece

Suction Plate: 1 Piece

Screw Accessories: 1 Bag

Instruction: 1 Piece

flat cable:1 piece

VIII、 Common Fault Treatment

Situations	Reasons	Elimination Method
Can not lock	Line Fault or too low voltage	To check the line, test the voltage whether is normal or not
	The power line is too thin or too long so as it may results in the voltage drops too quickly.	To change the power line(select a thick one)
	The power supply maybe is out of work so as there is no any voltage.	To repair or change a new power supply
	You may make a mistake at the positive and negative poles	To check the polarity and then correct it.
	There is no power output	To check whether the lines from the power supply is correctly connected. the Red VCC connect 12V Anode of power supply, The black (GND)connect Cathode of power supply.
Tension is not enough, indicator not switch, no signal output	The absorption surface maybe has not touched completely.	To check the absorption surface whether is damaged which will result in incompletely closed. You need to repair it or change a new one.
	The suction plate may be fixed very very tight	To check the rubber washer whether has been put into the locating pin of suction plate. To adjust the set screw so as to let the suction
	The door is out-shape or shifting. Or the absorption surface did not completely touch.	To adjust the suction plate which had been fixed with door-frame, so as to keep the suction plate and the lock completely touch
	There is blot or other things on the absorption surface.	Please to clear the blot. If there is rust, you have to repair it or change a new one.
	The settings are wrong, or the jumper becomes flexible.	Please according to the power supply voltage to set the jumper, because the lock has two jumpers—12VDC & 24VDC.
	The power is not enough.	Please check the voltage and current by using multimeter.
	The power line of lock is too thin or too long.	Please use a better2 power line which is thicker and shorter and it had better no longer than 20m
	The lock maybe is of bad quality	To Repair it or change a new one.
Can not open the door	the electric lock control port no voltage or Anode & Cathode connect inside out	To check the unlock control circuit of the access controller Make sure the connector is correct or not.

