

The manual of electric bolt lock (Model BDC-2105)

I 、 Brief Introduction

BDC-2105 is a new excellent electric bolt lock with innovative design, which is the perfect combination of science and technology and fashion. The lock is equipped with Zinc alloy integration lock body cover, stainless steel cover board and intelligent chip. With excellent anti-interference and the large scope of voltage usage, when lock if switch on, the static current is 210m A, and if continuously works, the lock body is low hot, which is with high security. It can be opened by key company with signal output of door state.

II 、 Technical parameter

Working Voltage: 12VDC±10%~24VDC±15%

Working Current:

VOLTAGE	Operate current	Static current
12VDC	1000mA	210mA
24VDC	660mA	120mA

Control signal output of door state:

Signal voltage≤36VAC/DC signal current≤300mA

Ambient Temperature: -25~55℃

Relative Humidity: 10%~90%RH

Holding Force:1000kg

Dimension of Lock Body: 250 ×30×36.5mm

Wiring Direction: working voltage:12-24VDC

Red → power supply (+)

Black → power supply (-)





Purple → Once the low level control terminal and black line short out, it will be unlock by electric control.

Gray → (COM) Signal

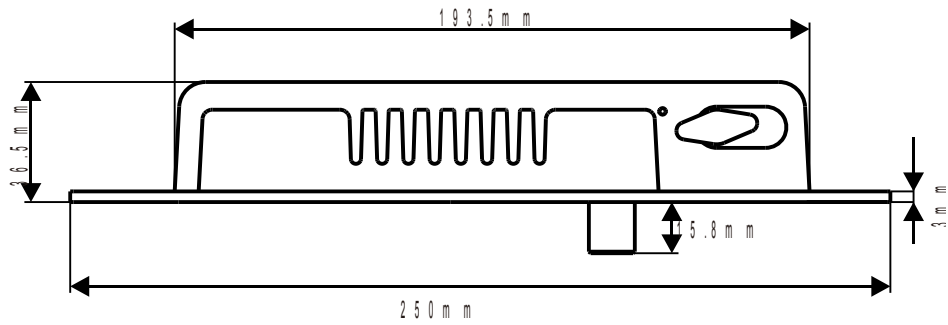
Green → (NO) Signal

Time delay : 0-8 seconds adjustable

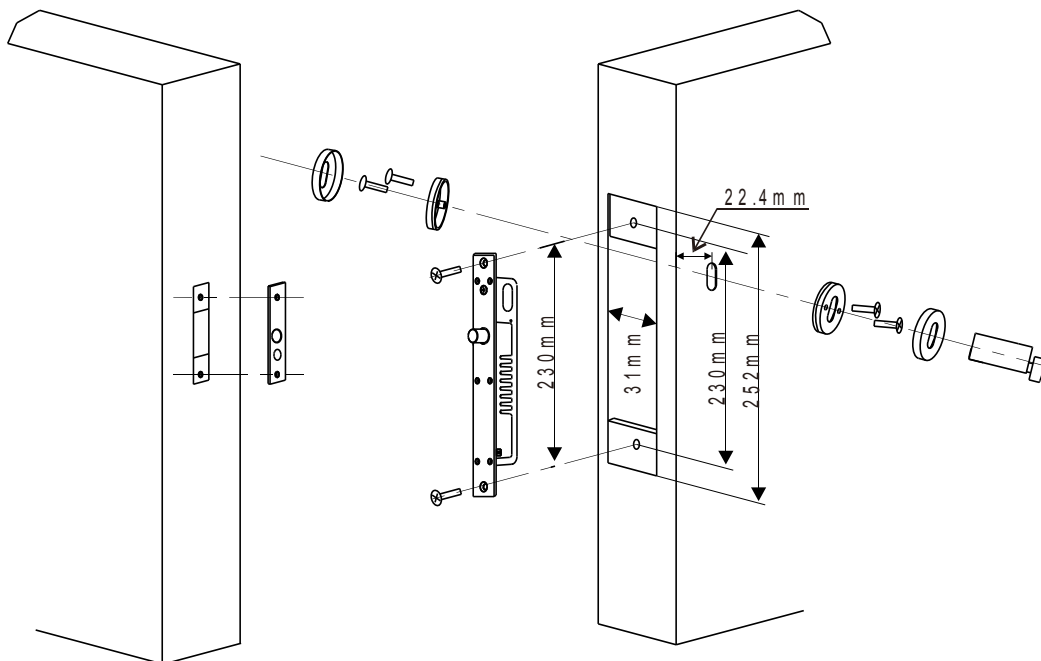
Specific adjustment manner as follow:

both 1 &2 slide to left		lengthen 0 second
1 slide to left and 2 slide to right		lengthen 2.5 second
1 slide to right and 2 slide to left		lengthen 5 second
both 1 &2 slide to right		lengthen 8 second

III、Measurements



IV、Diagram of installation



V、Original List

electric bolt lock: 1 piece

screws : 1bag

Instruction: 1 Piece

plate cover: 1 piece

lock cylinder: 1 piece